



# Beskar™ Ingot Drive

Installation Guide

---



— Model: Special Edition FireCuda® PCIe Gen4  
NVMe™ SSD —



**Click here to access an up-to-date online version**  
of this document. You will also find the most recent content as well as expandable illustrations, easier navigation, and search capability.

# Contents

<b>1</b>	<b>Introduction</b>	<b>3</b>
	Recommendations	3
	• Before installation	3
	Precautions	3
	Parts	4
	System Requirements	4
<b>2</b>	<b>Installation</b>	<b>5</b>
	Install Beskar™ Ingot Drive	5
<b>3</b>	<b>Support &amp; Services</b>	<b>7</b>
	SeaTools	7
	DiscWizard	7
	Firmware download and tools download for secure erase	7
	Internal SSD support	7
	Online support and services	7
	Warranty support	7
	Data recovery services	7
	Seagate Partner Program	8

# Introduction

## Recommendations

- Intended for desktop PCs.
- Beskar™ Ingot Drive's heatsink is pre-installed and should not be removed as it can damage the SSD.
- With the heatsink, the product exceeds standard M.2 dimensions. Dimensions of the Beskar™ Ingot Drive are 80.15mm (L) x 22.9mm (W) x 18.25mm (H). Verify that your system provides enough space for installation.
- M.2 connectors H3.2 and above are recommended for an SSD with a heatsink.
- For optimal performance, provide sufficient airflow and cooling.

## Before installation

- **IMPORTANT** Make certain your computer's BIOS is up to date before installing Beskar™ Ingot Drive. See your computer or motherboard documentation for information on how to access the BIOS.

Most motherboards have more than one M.2 slot available for SSD drives. Before installing Beskar™ Ingot Drive:

- Determine the appropriate M.2 slot on your motherboard for Beskar™ Ingot Drive. If another SSD drive is already installed in the slot, you'll need to remove it during the installation.
- Decide whether you want to install your computer operating system on Beskar™ Ingot Drive and use it as your primary drive. See your computer or motherboard documentation for details on how to boot from an M.2 SSD.
- If you need to transfer files from another drive to Beskar™ Ingot Drive, consider how you will move your data or clone your drive before starting the installation.
- For optimal performance, it's recommended you use an M.2 PCIe Gen4x4 slot. Refer to your motherboard user manual.

## Precautions

- Unpack the SSD.
- Inspect the SSD for any damages.
- For the safety of your SSD, please take the necessary precautions to avoid electrostatic discharge. Power down and power drain your computer according to the instructions provided in the computer product documentation.
- Back up the data from the existing storage device.

**!** **CAUTION** Electrostatic discharge (ESD) can damage the SSD. Make sure that you install the SSD at an ESD-safe workstation. Ground yourself to protect the device from any static electricity present in your body.

## Parts

- Beskar™ Ingot Drive

## System Requirements

- M.2 (M key) slot, PCIe® Gen4×4 interface (backwards compatible with PCIe Gen3 interface)
- Windows® 10 or higher

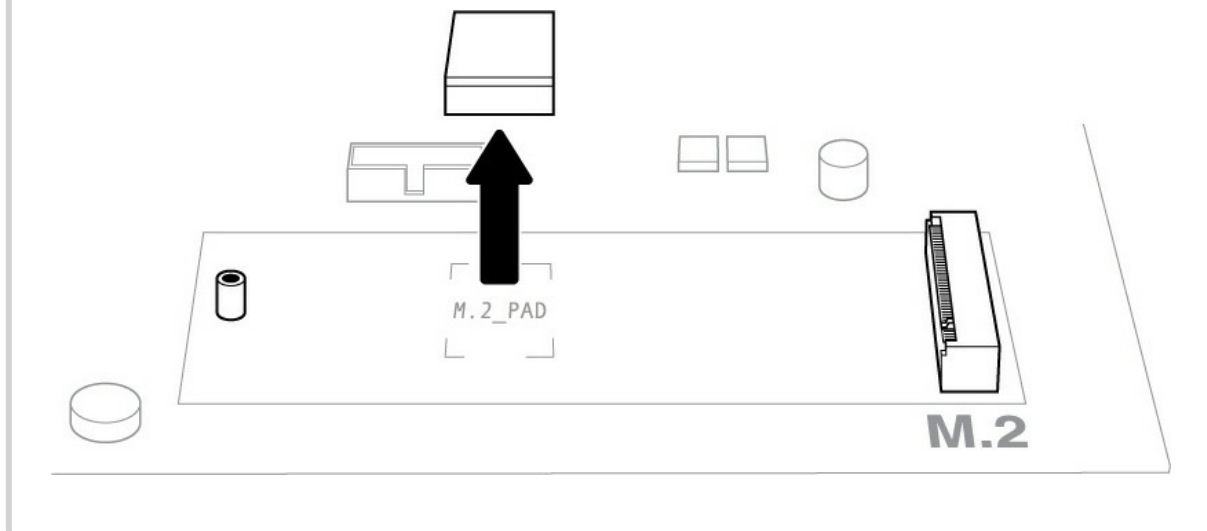
# Installation

## Install Beskar™ Ingot Drive

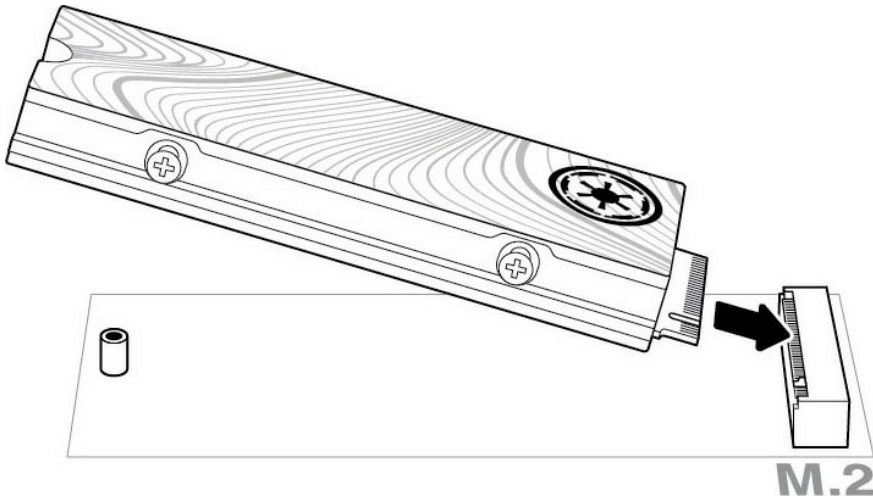
1. Before installing Beskar™ Ingot Drive, power down your computer and unplug any cables attached to it.
2. Open the case or cabinet.
3. If an existing SSD drive is installed in the M.2 PCIe slot you intend to use for Beskar™ Ingot Drive, you'll need to remove it.
4. Power on your computer.
5. Access the BIOS setup while the computer is booting. Ensure that a PCIe device is set in the BIOS boot sequence or boot priority list.
6. Power down the computer and locate the M.2 PCIe slot on your motherboard.



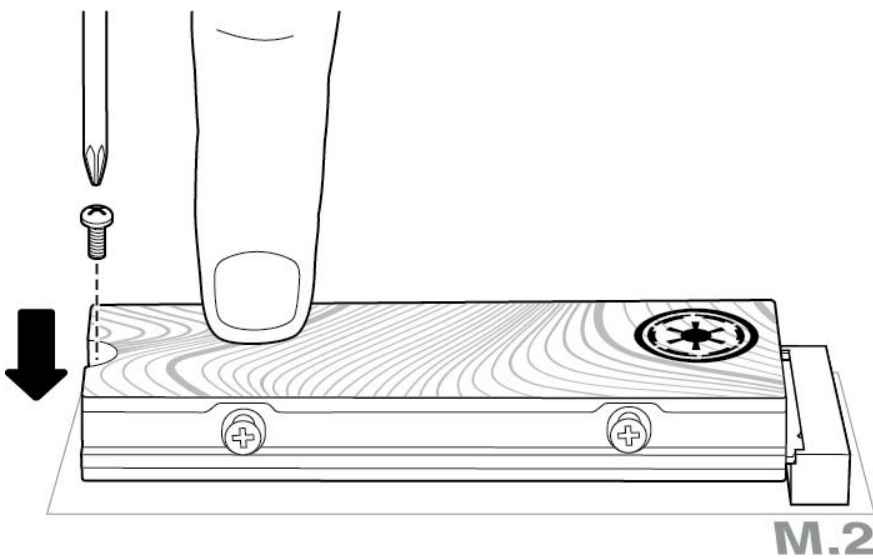
**Note**—Some motherboards have a pad installed in the **M.2\_PAD** space by default. This pad can be removed to ensure a better fit for Beskar™ Ingot Drive.



7. Check to make sure that the notch on Beskar™ Ingot Drive is correctly aligned with the divider in the slot. Gently push SSD into the slot until it's firmly seated.



8. Hold down Beskar™ Ingot Drive while you fasten the mounting screw. Make sure the SSD is secured in place.



9. Close the case or cabinet and reassemble your computer.
10. Power on your computer.
11. Install the computer operating system on Beskar™ Ingot Drive if you want to use it as the primary drive.

# Support & Services

## SeaTools

SeaTools™ SSD GUI is a free utility that lets you monitor and maintain your drive's health, status, and tests. Go to [www.seagate.com/support/downloads/seatools](http://www.seagate.com/support/downloads/seatools).

## DiscWizard

Seagate DiscWizard is an integrated software suite that lets you back up your operating system, applications, settings, and files, while also securely destroying confidential data you no longer need. Go to [www.seagate.com/support/downloads/discwizard](http://www.seagate.com/support/downloads/discwizard).

## Firmware download and tools download for secure erase

Go to [www.seagate.com/support/downloads](http://www.seagate.com/support/downloads).

## Internal SSD support

Go to [www.seagate.com/support/products](http://www.seagate.com/support/products).

## Online support and services

Go to [www.seagate.com/contacts](http://www.seagate.com/contacts).

## Warranty support

Go to [www.seagate.com/support/warranty-and-replacements](http://www.seagate.com/support/warranty-and-replacements).

## Data recovery services

Go to [www.seagate.com/services-software/seagate-recovery-services/recover](http://www.seagate.com/services-software/seagate-recovery-services/recover).

# Seagate Partner Program

Go to [www.seagate.com/partners](http://www.seagate.com/partners).